

## Ratchet

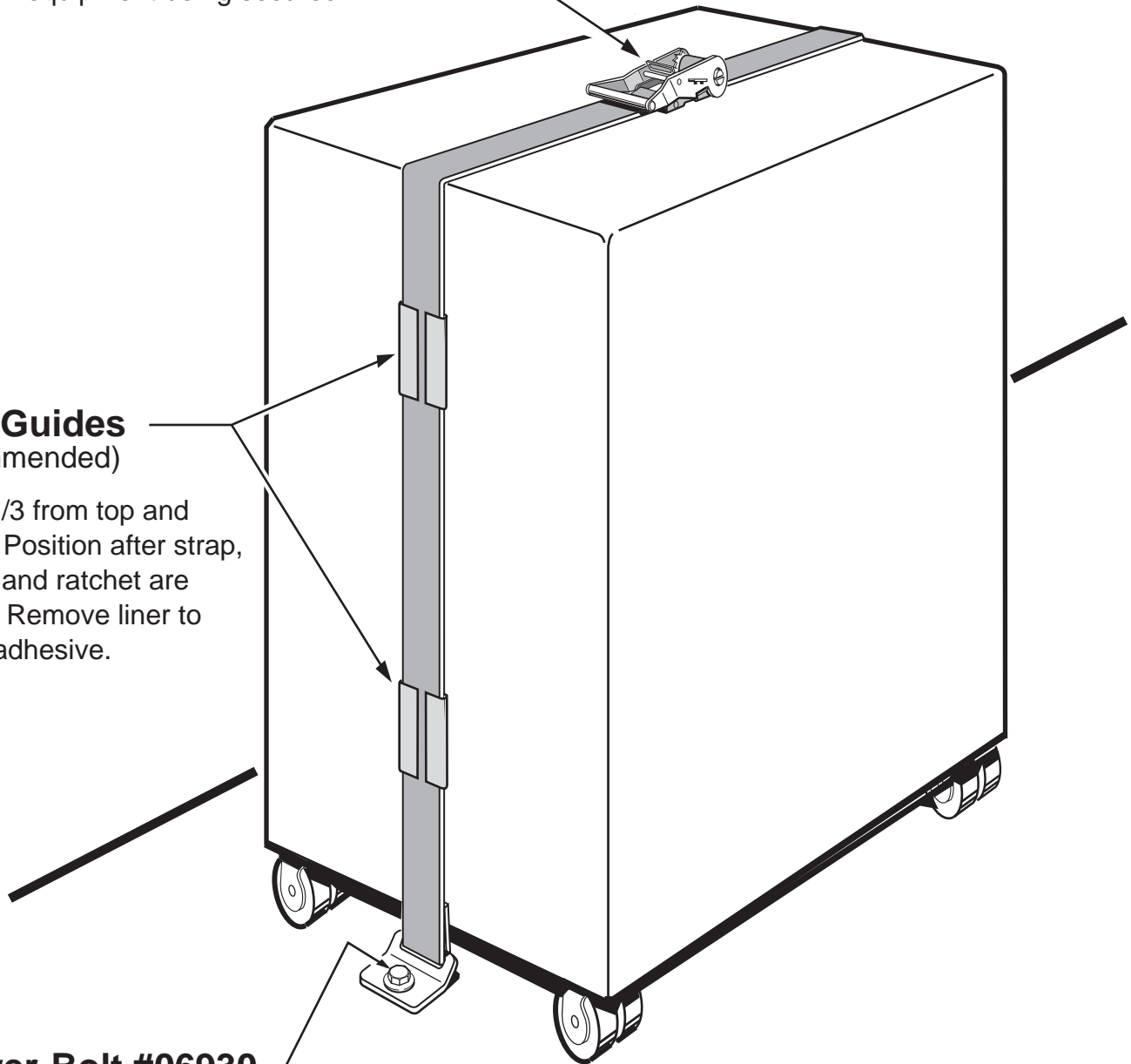
Locate on top surface of equipment being secured

## Strap Guides (Recommended)

Locate 1/3 from top and bottom. Position after strap, anchors and ratchet are in place. Remove liner to expose adhesive.

## Power-Bolt #06930

.50" Dia. x 2.75" long



# Ratchet Overstrap - RS-XXX